

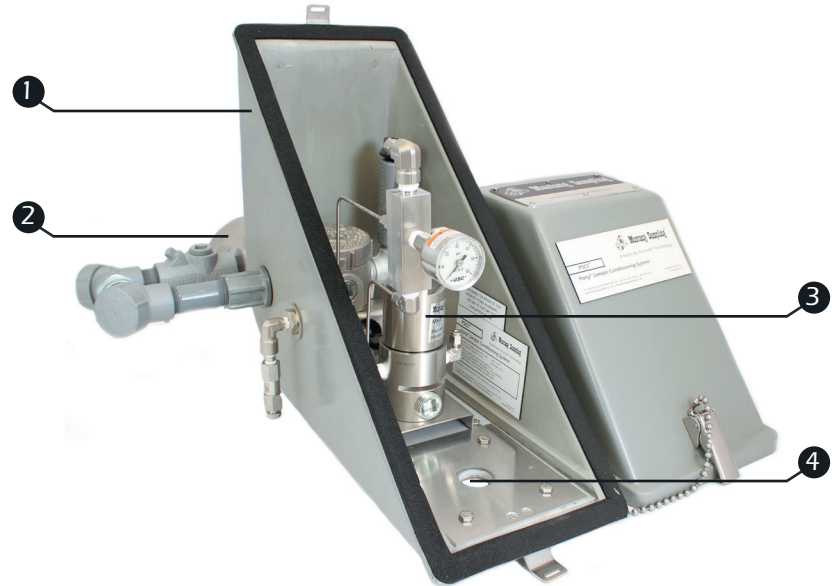
PSCS®

Pony® Sample Conditioning System



Mustang Sampling®

Item Number	Description
1	Insulated Clamshell Enclosure
2	Watlow® PID Temperature Controller
3	Single or Multi-Stage Mustang® Heated Regulator
4	Probe Location



APPLICATION

The Pony® Sample Conditioning System is ideal for sampling wet or dry natural gas when a compact solution mounted directly to the sampling probe is preferred. The PSCS contains a self-limiting block heater, Watlow® PID temperature controller, system temperature limiter, and a single or multistage pressure regulator, all mounted inside a Pony® Heated Probe Enclosure. The close coupled system reduces the opportunity for richer gases to condense within sample tubing and protects analyzers from damage by solids or liquids while delivering a representative sample. The Pony® Sample Conditioning System is the only probe mounted sample conditioning system that can be powered by the heat trace tube bundle, creating a cost effective solution for new or existing locations.



Natural Gas

FEATURES

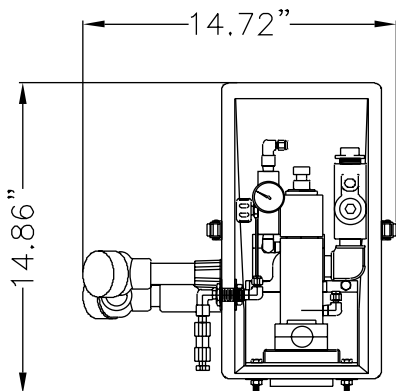
- Patented technology utilizing existing power supplied by heat trace tube bundle
- Molded narrow clam shell design
- Rated for Class 1, Division 1, Group D Locations
- Compatible with Mustang CertiSeries® line of products
- Steel latching closures

BENEFITS

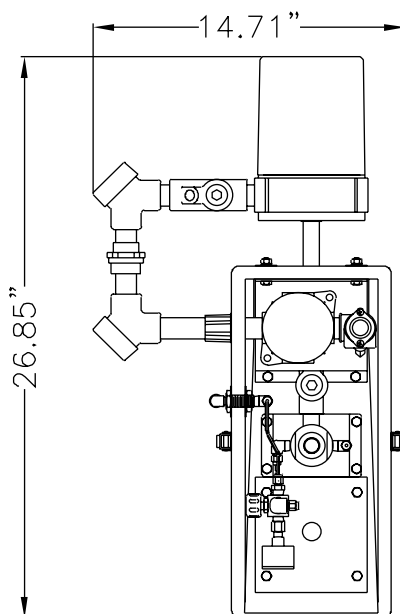
- Requires no external power or natural gas for proper operation
- Conforms to API 14.1 guidelines for hydrocarbon liquid removal and heat tracing
- Protects probes from temperature and weather fluctuations
- Helps preserve sample integrity
- Prevents Joule-Thomson cooling
- Direct-mount on pipeline fitting between 6" center-to-center threadlets (TOLs)
- Fits over existing probe brands
- Closely coupled to the sample point



PRODUCT DIMENSIONS



Front View

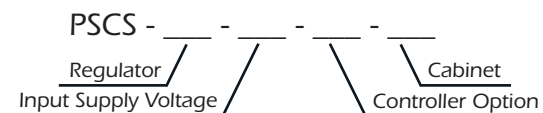


Top View

PRODUCT SPECIFICATIONS

Maximum Allowable Operating Pressure	MHR® Single-Stage Regulator 3750 psig (259 BAR) @ 60°F (16°C)
	MJTHR® Multi-Stage Regulator 6000 psig (408 BAR) @ 60°F (16°C)
Wetted Parts	316 SS NACE Compliant
Regulator Sample Volume/Cv	0.51 cu. in.
Regulator Cv	0.023
Maintains Sample Gas	Standard set point at 120°F (49°C) Adjustable from 60°F to 400°F (16°C to 204°C)
Regulator Options	MHR® Single-Stage Regulator MJTHR® Multi-Stage Regulator
Input Supply Voltage Options	120 VAC , 215 Watts, 50/60 Hz, ± 10% 240 VAC , 215 Watts, 50/60 Hz, ± 10% 24 VDC , 155 Watts
PID Temperature Controller Options	OI Oven Industries Controller W Watlow® Controller
Cabinet Construction Options	GPR Hotpressed Glass Fiber Reinforced Polyester SS Stainless Steel

Use the bold alpha-numeric characters from the table above to build your model number:



STANDARD COMPONENTS

- Low-volume manifold
- Pressure gauge
- Proportional relief valve

Analytically Accurate®
TECHNOLOGY

About Mustang Sampling

Mustang Sampling, LLC is the innovator of Analytically Accurate® solutions within sample conditioning systems. We provide custom solutions of products and services globally to the Natural Gas, Natural Gas Liquids (NGL), Renewable Natural Gas (RNG), Liquefied Natural Gas (LNG) industries including Hydrogen Blending and Carbon Sequestration. Mustang Sampling continues to pioneer integrated control systems, allowing our customers to maintain phase stability from sample extraction at the source through sample analysis. Our products are continuously improved and subjected to the highest quality standards which provides our customers with the best sample conditioning solutions.

Mustang Sampling, LLC
43 Ritmore Glen
Ravenswood, WV 26164
P: +1 304 273 5357
F: +1 304 273 2531

info@MustangSampling.com
www.MustangSampling.com

Copyright © 2017-2021 Mustang Sampling. All rights reserved. Mustang Sampling®, Mustang®, PSCS®, Pony®, MHR®, MJTHR®, CertiSeries®, Certiprobe® and Analytically Accurate® are registered trademarks of Mustang Sampling, LLC. Watlow® is a registered trademark of Watlow Electric Manufacturing Company.

U.S. Patents 7,162,933; D674,052 S

No part of this publication may be reproduced in any material form without the written permission of Mustang Sampling, LLC.

MS-CSPSCS.v9-EN-P June 2021
Supersedes: MS-CSPSCS.v8-EN-P