



# Mustang Sampling<sup>®</sup>

## Mustang Certiprobe<sup>®</sup> Threaded Sample Extractor

The Mustang Certiprobe<sup>®</sup> threaded sample extractor is a sample probe conforming to the requirements of ASME B31.3-214.



### APPLICATION

The threaded Mustang Certiprobe is the initial access point for a sampling system within a natural gas, natural gas liquid, chemical process, or biogas pipeline or vessel. The Certiprobe is available in a variety of lengths, materials, and pressure ratings to accommodate a wide range of applications in threaded configurations.

The Certiprobe sample extractor design includes Nondestructive Examination (NDE) of Positive Material Identification (PMI) and Dye Penetrant Inspection (DPI) for all welds. Stress analysis is performed, using pipeline conditions, prior to pipeline installation.



Bio-Gas



NGL



Natural Gas

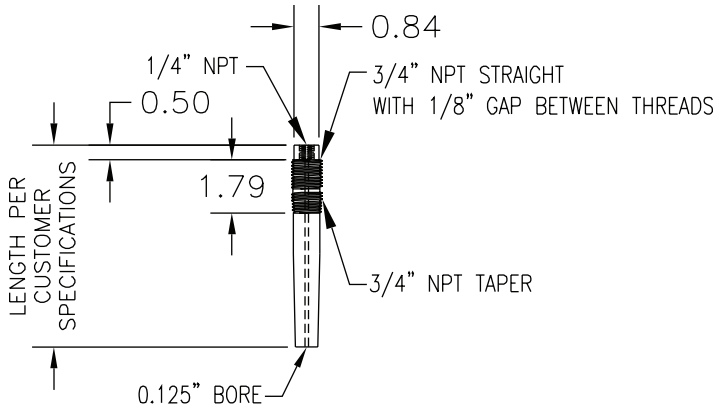
### FEATURES

- Customer-specified metallurgy & rating
- Includes NDE, Dye Penetrant (PT), Hydrotest, and PMI (if requested)
- Threaded design
- Large bore diameter
- Flanged design available
- Designed for high velocity gas stream

### BENEFITS

- Conforms to ASME B31.3-214
- Compatible with Mustang Certicollar<sup>®</sup> Mounting Brackets
- Can be used with a threadolet (TOL)
- Helps preserve sample integrity
- Does not require special insertion device or hydraulic fluid
- Horizontal or vertical mounting
- Sulfinert<sup>®</sup> coating available

## PRODUCT DIMENSIONS

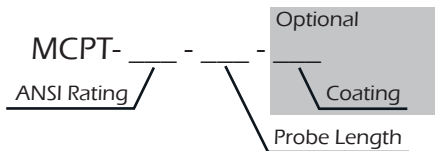


Side View

## PRODUCT SPECIFICATIONS

Maximum Pressure Design	ANSI Class 2500
Wetted Materials	304 & 316 SS, Hastelloy C-276, & CS
ANSI Rating	ANSI Class <b>150</b>
	ANSI Class <b>300</b>
	ANSI Class <b>400</b>
	ANSI Class <b>600</b>
	ANSI Class <b>900</b>
	ANSI Class <b>1500</b>
	ANSI Class <b>2500</b>
Probe Length	2" Length 4" Length 7" Length 9" Length <b>Custom</b> - Specified in inches from base of thread to probe tip. Contact for customized options.
Optional Coating	Sulfinert

Use the bold alpha-numeric characters from the table above to build your model number:



### About Mustang Sampling

Mustang Sampling, LLC is the innovator of Analytically Accurate® solutions within sample conditioning systems. We provide custom solutions of products and services globally to the Natural Gas, Natural Gas Liquids (NGL), and Liquefied Natural Gas (LNG) industries. Mustang Sampling continues to pioneer integrated control systems, allowing our customers to maintain phase stability from sample extraction at the source through sample analysis. Our products are continuously improved and subjected to the highest quality standards which provides our customers with the best sample conditioning solutions.

Mustang Sampling, LLC  
43 Ritmore Glen  
Ravenswood, WV 26164  
P: +1 304 273 5357  
F: +1 304 273 2531

info@MustangSampling.com  
www.MustangSampling.com

Copyright © 2017-2019 Mustang Sampling.  
All rights reserved.  
Mustang Sampling®, Certiprobe®, Certicollar®, CertiSeries® and Analytically Accurate® are registered trademarks of Mustang Sampling, LLC.  
Sulfinert® is a registered trademark of SilcoTek.

No part of this publication may be reproduced in any material form without the written permission of Mustang Sampling, LLC.

MS-CSMTCP.v6-EN-P September 2019  
Supersedes: MS-CSMTCP.v5-EN-P