



Mustang Sampling[®]

Pony[®] Heated Probe Enclosure

PONY[®]

The Pony Heated Probe Enclosure is an integral patented component of the Mustang[®] Sample Conditioning System (MSCS[®]) designed to provide and maintain heat for the sample probe directly at the sample point.



APPLICATION

The Pony enclosure installs between 6" center-to-center threadlets as an integral component in an Analytically Accurate[®] sample conditioning system.

Pony enclosure models can be utilized with a remote Mustang[®] P53[®] Sample Conditioning System as well as a stand-alone sampling system.

FEATURES

- Patented technology utilizing existing power supplied by heat trace tube bundle
- Molded narrow clam shell design
- Steel latching closures
- Compatible with Mustang CertiSeries[®] line of products

BENEFITS

- Protects probes from temperature and weather fluctuations
- Helps preserve sample integrity
- Requires no gas consumption or external power
- Direct-mount on pipeline fitting between 6" center-to-center threadlets (TOLs)
- Fits over existing brand of probes
- Provides easy maintenance



Natural Gas



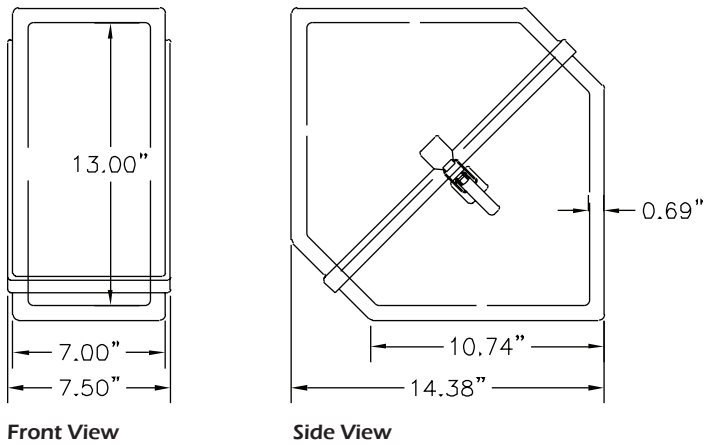
NGL



Biogas



PRODUCT DIMENSIONS



Front View

Side View

PRODUCT SPECIFICATIONS

Heating Components	80 watt self-limiting block heater
Maintains Sample Gas	98°F (37°C)
Cabinet Construction	Hotpressed Glass Fiber Reinforced Polyester
Input Supply Voltage Options	120 VAC, 80 Watts
	240 VAC, 80 Watts
	24 VDC, 25 Watts

Use the bold alpha-numeric characters from the table above to build your model number:

PONYCS - _____
 Input Supply Voltage /

STANDARD COMPONENTS

- Pony® Probe Enclosure
- Heat trace tubing shrink boot
- Heat trace tubing shrink sleeve
- Class 1, Division 1 termination enclosure w/ termination kit
- Bolts, nuts and washers to mount to mounting bracket

OPTIONAL MUSTANG CERTISERIES® MOUNTING BRACKETS

- Certidaptor® Mounting Bracket
- Certicollar® Mounting Brackets
 - KT-Nut® Threaded Base Adaptor
 - KT-Nut® Threaded Base Adaptor for 702 Probe
 - KT-Nut® Non-Threaded Base Adaptor
 - Certiplate® 1-Piece Base Plate with Vinyl Cap Nut
 - Certiplate® 2-Piece Base Plate with Collar

OPTIONAL PROBE KITS

- Certiprobe® Sample Extractor
- GPR Probe Regulator
- GPiL Probe
- GPRiL Probe Regulator
- 702 Probe
- 705 Probe
- Welker® Probe

Analytically Accurate® TECHNOLOGY

About Mustang Sampling

Mustang Sampling, LLC is the innovator of Analytically Accurate® solutions within sample conditioning systems. We provide custom solutions of products and services globally to the Natural Gas, Natural Gas Liquids (NGL), and Liquefied Natural Gas (LNG) industries. Mustang Sampling continues to pioneer integrated control systems, allowing our customers to maintain phase stability from sample extraction at the source through sample analysis. Our products are continuously improved and subjected to the highest quality standards which provides our customers with the best sample conditioning solutions.

Mustang Sampling, LLC
 43 Ritmore Glen
 Ravenswood, WV 26164
 P: +1 304 273 5357
 F: +1 304 273 2531

info@MustangSampling.com
 www.MustangSampling.com

Copyright © 2017-2019 Mustang Sampling. All rights reserved. Mustang Sampling®, Mustang®, MSCS®, P53®, Pony®, Analytically Accurate®, CertiSeries®, Certicollar®, Certidaptor®, Certiprobe®, and KT-Nut® are registered trademarks of Mustang Sampling, LLC. Welker® is a registered trademark of Welker, Inc.

U.S. Patents 7,162,933; D674,052 S

No part of this publication may be reproduced in any material form without the written permission of Mustang Sampling, LLC.

MS-CSPONYCS.v11-EN-P September 2019
 Supersedes: MS-CSPONYCS.v10-EN-P