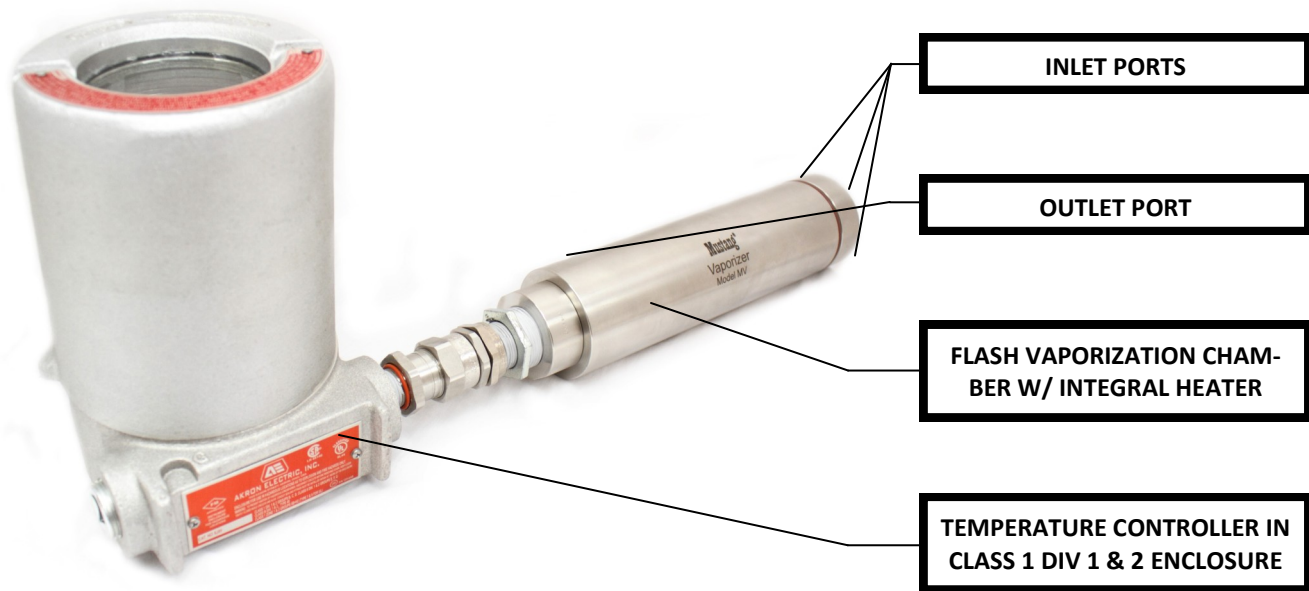



# Mustang® Vaporizer

MV-I



CE  ITS12ATEX17539 IECEx ETL 12.0005X

GV CRN 0E07663.2C

## Analytically Accurate® Technology

The Mustang® Vaporizer (ATEX/IECEx) is designed for flash vaporization of sample liquids in petrochemical plants, refineries, gas plants, & for vaporizing cryogenic liquids.

Sample liquid is maintained below its bubble point pressure and temperature until it enters the flash chamber where it is instantaneously vaporized. Heat for vaporization is transferred from an electrical cartridge heater to a low volume flash chamber having a very large heat transfer surface area.

The flash chamber is designed to maintain a homogeneous sample vapor that is representative of the liquid sample composition. The Mustang® Vaporizer has five times more heat transfer capacity than vaporizing regulators.

- ▶ ATEX/IECEx Certified
- ▶ cETLus Certified Design Available
- ▶ CRN Approved
- ▶ Thermal cutoff
- ▶ Versatile conduit connections
- ▶ Integral heater and controller
- ▶ Heater cartridge does not contact sample fluid
- ▶ Large heat transfer capacity
- ▶ Liquid bypass capable
- ▶ Uniform liquid flash vaporization
- ▶ No premature flashing or partial fractionation
- ▶ Discrete hot and cool zones
- ▶ Integral flow restrictor on inlet
- ▶ Compatible with Mustang® Intelligent Vaporizer for LNG

# PRODUCT DIMENSIONS

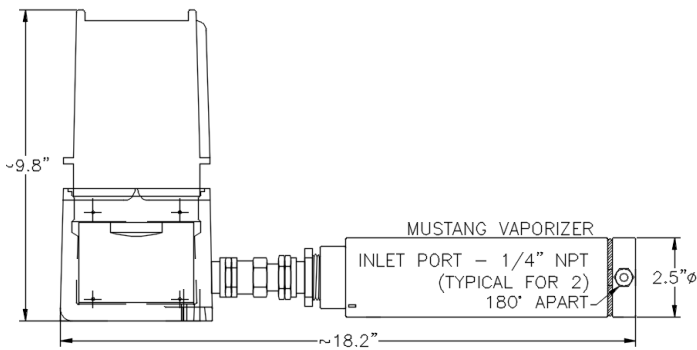


Fig. 1a—Side View

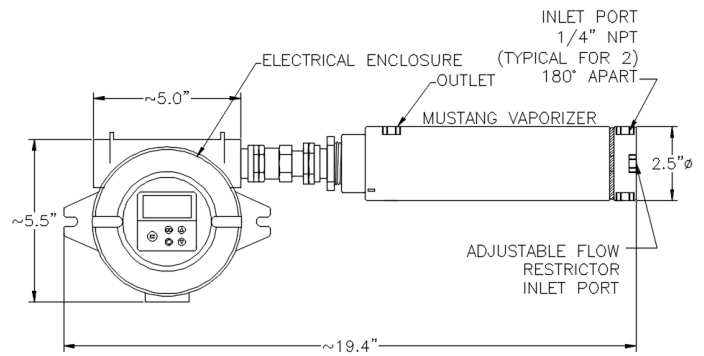


Fig. 1b—Top View

# PRODUCT SPECIFICATIONS

|  |  |
|--|--|
| Maximum allowable working pressure     | 3500 psig (241.3 bar)  |
| Proportional temperature control range | 95-200°F (35-94°C) (other ranges available upon request)   |
| Thermal cut-off                        | Normally opens at 230°F (110°C) (other ranges available upon request)  |
| Internal volume                        | 40 cc  |
| Port sizes                             | 1/4" female NPT  |
| Conduit connection                     | 3/4" female NPT  |
| Electrical enclosure classification    | Class 1, Div 1 & 2, Groups B, C, D   |
| Power rating options                   | 115 VAC, 375 Watts, 50/60 Hz, ± 10%<br>208 VAC, 375 Watts, 50/60 Hz, ± 10%<br>230 VAC, 375 Watts, 50/60 Hz, ± 10%  |
| Wetted materials                       | Machined parts: 316 stainless steel/NACE compliant<br>All other metal parts: stainless steel/NACE compliant<br>O-ring: Viton® (other materials available upon request) |



**Mustang Sampling®**

info@mustangsampling.com  
www.mustangsampling.com

P 304-273-5357  
F 304-273-2531  
P.O. Box 490  
Ravenswood, WV 26164



Locally Represented By: