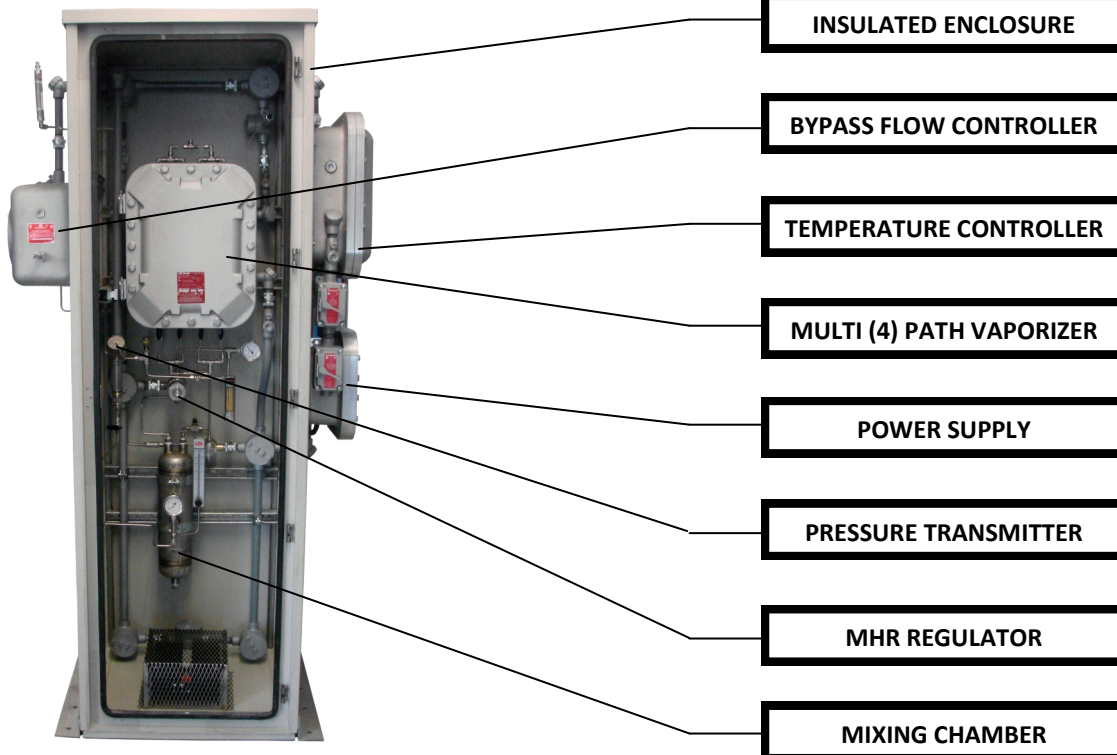


Mustang Intelligent Vaporizer Sampling System® Model 1—cETLus Certifiable

MIV1

U.S. Patent No. 7,484,404



Analytically Accurate® Technology

The Mustang Intelligent Vaporizer Sampling System® (Model 1) is a patented technology designed to vaporize liquid providing a fresh sample to a continuous online analyzer.

This system is designed with enhanced sample quality, through controlled vaporization and remixing, accomplished through 4 stages.

In order for the analyzer to meet its stated accuracy, the Mustang Intelligent Vaporizer Sampling System® ensures the sample to the analyzer is in a stable composition. The multipath design (Model 1) achieves redundancy in critical areas such as the loading and unloading of ships.

- ▶ Stable Sample Time™ System
- ▶ Conforms to ISO 8943
- ▶ CSA Approved for New Brunswick Providence
- ▶ cETLus Certifiable
- ▶ Atex IEC Certifiable Design Available
- ▶ Patented Technology
- ▶ Continuous gas flow design eliminating post-vaporization hydrocarbon liquid dropout
- ▶ Accurate and reliable BTU measurements by your GC
- ▶ Installs at offloading pipeline and other terminal measurement locations
- ▶ Integral flow restrictor on inlet
- ▶ Optional software for operating, monitoring, trending, and reporting (see Soft View® Monitor brochure)

PRODUCT DIMENSIONS

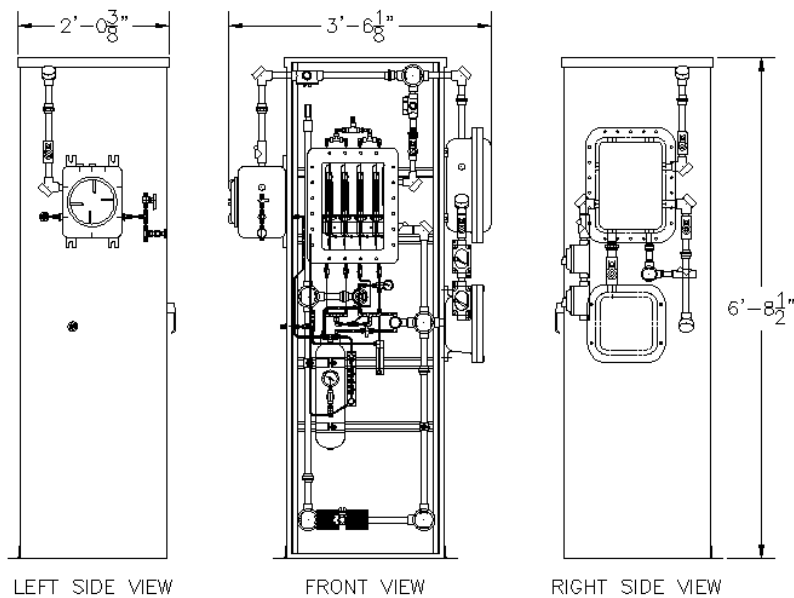


Fig. 1a—Mustang Intelligent Vaporizer Sampling System® Model 1

PRODUCT SPECIFICATIONS

Maximum allowable working pressure	500 psig (35 bar) @ -360°F (-218°C)
Proportional temperature control range	0°F-200°F (-18°C-93°C)
Thermal cut-off	Opens at 230°F (110°C)
Port sizes	1/4" female NPT
Conduit connection	3/4" female NPT
Electrical enclosure classification	Class 1, Div 1 & 2, Groups B, C, D, T3
Power rating options	115 VAC, 2700 Watts, 50/60 Hz, ± 10% 208 VAC, 2700 Watts, 50/60 Hz, ± 10% 230 VAC, 2700 Watts, 50/60 Hz, ± 10%
Wetted materials	Machined parts: 316 stainless steel/NACE compliant All other metal parts: stainless steel/NACE compliant; (other materials available upon request)

VAPORIZATION & REMIXING STAGES

- ▶ **STAGE 1**—Available in either a multipath or single-path design (see MIV2 brochure) to vaporize LNG and send the sample to the accumulator for restructuring
- ▶ **STAGE 2**—Accumulator cylinder designed with a special impingement tube to allow the gas components to return to their original composition
- ▶ **STAGE 3**—A pre and post-heated pressure regulator designed to prevent hydrocarbon dew point drop-out and reduce sample pressure which is then delivered to the chromatograph through a heated sample tube
- ▶ **STAGE 4**—Vapor return bypass flow control system



Mustang Sampling®

info@mustangsampling.com
www.mustangsampling.com

P 304-273-5357
F 304-273-2531
P.O. Box 490
Ravenswood, WV 26164



Locally Represented By: