



# Mustang Sampling<sup>®</sup>

## Mustang Pony<sup>®</sup> Heated Probe Enclosure

PONY<sup>®</sup>

The Pony Heated Probe Enclosure is an integral patented component of the Mustang<sup>®</sup> Sample Conditioning System (MSCS<sup>™</sup>) designed to provide and maintain heat for the sample probe directly at the sample point.



### APPLICATION

The Pony enclosure installs between 6" center-to-center threadolets as an integral component in an Analytically Accurate<sup>®</sup> sample conditioning system.

Pony enclosure models can be utilized with a remote Mustang<sup>®</sup> P53<sup>™</sup> Sample Conditioning System as well as a stand-alone sampling system.



Natural Gas



NGL



Biogas

### FEATURES

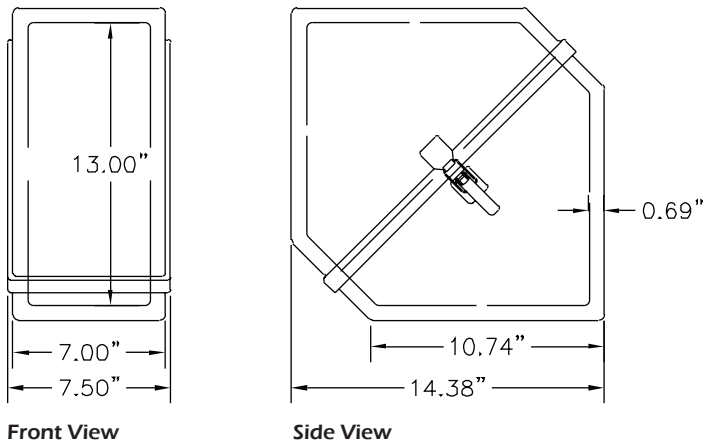
- Patented technology utilizing existing power supplied by heat trace tube bundle
- Molded narrow clam shell design
- Steel latching closures
- Compatible with Mustang CertiSeries<sup>™</sup> line of products

### BENEFITS

- Protects probes from temperature and weather fluctuations
- Helps preserve sample integrity
- Requires no gas consumption or external power
- Direct-mount on pipeline fitting between 6" center-to-center threadolets (TOLs)
- Fits over existing brand of probes
- Provides easy maintenance



## PRODUCT DIMENSIONS



Front View

Side View

## PRODUCT SPECIFICATIONS

Heating Components	80 watt self-limiting block heater
Maintains Sample Gas	98°F (37°C)
Cabinet Construction	Hotpressed Glass Fiber Reinforced Polyester
Input Supply Voltage Options	<b>115 VAC</b>
	<b>240 VAC</b>
	<b>24 VDC</b>

Use the bold alpha-numeric characters from the table above to build your model number:

PONYCS - \_\_\_\_\_  
 Input Supply Voltage /

## STANDARD COMPONENTS

- Pony® Probe Enclosure
- Heat trace tubing shrink boot
- Heat trace tubing shrink sleeve
- Class 1, Division 1 termination enclosure w/ termination kit
- Bolts, nuts and washers to mount to mounting bracket

## OPTIONAL MUSTANG CERTISERIES™ MOUNTING BRACKETS

- Certidaptor™ Mounting Bracket
- Certicollar® Mounting Brackets
  - KT-Nut™ Threaded Base Adaptor
  - KT-Nut™ Threaded Base Adaptor for 702 Probe
  - KT-Nut™ Non-Threaded Base Adaptor
  - Certiplate™ 1-Piece Base Plate with Vinyl Cap Nut
  - Certiplate™ 2-Piece Base Plate with Collar

## OPTIONAL PROBE KITS

- Certiprobe® Sample Extractor
- GPR Probe Regulator
- GPiL Probe
- GPRiL Probe Regulator
- 702 Probe
- 705 Probe
- Welker® Probe

## Analytically Accurate® TECHNOLOGY

### About Mustang Sampling

Mustang Sampling, LLC is the innovator of Analytically Accurate® solutions within sample conditioning systems. We provide custom solutions of products and services globally to the Natural Gas, Natural Gas Liquids (NGL), and Liquefied Natural Gas (LNG) industries. Mustang Sampling continues to pioneer integrated control systems, allowing our customers to maintain phase stability from sample extraction at the source through sample analysis. Our products are continuously improved and subjected to the highest quality standards which provides our customers with the best sample conditioning solutions.

Mustang Sampling, LLC  
 43 Ritmore Glen  
 Ravenswood, WV 26164  
 P: +1 304 273 5357  
 F: +1 304 273 2531

info@MustangSampling.com  
 www.MustangSampling.com

Copyright © 2017 Mustang Sampling. All rights reserved. Mustang Sampling®, Mustang®, Pony®, Analytically Accurate®, Certicollar® and Certiprobe® are registered trademarks of Mustang Sampling, LLC. Welker® is a registered trademark of Welker, Inc.

U.S. Patents 7,162,933; D674,052 S

No part of this publication may be reproduced in any material form without the written permission of Mustang Sampling, LLC.

MS-CSPONYCS.v8-EN-P November 2017  
 Supersedes: MS-CSPONYCS.v7