



Mustang Sampling[®]

Mustang[®] Joule-Thomson Regulator

MJTR[™]

The Mustang[®] Joule-Thomson Regulator (MJTR) is a four-stage pressure regulator designed to compensate for Joule-Thomson cooling during sample extraction. With a ratio controlled multi-piston design, the MJTR ensures the first three stages are always functional, even with fluctuations to the inlet pressure.



APPLICATION

The MJTR can be utilized in any application requiring multi-stage pressure regulation for sample conditioning or calibration gas cylinders. An MJTR, located downstream of a sample probe, permits a 4-stage reduction in pressure without distorting the composition of a vapor sample.

When used in combination with insertion probes, the MJTR provides the most practical method for conforming to the API 14.1 and GPA 2166 standards.



Natural Gas

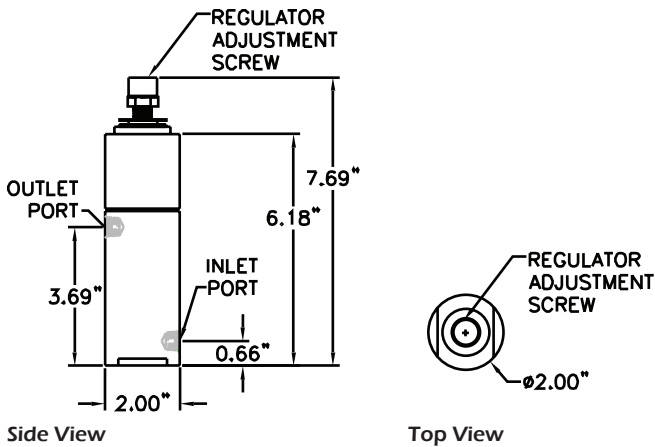
FEATURES

- Patented multi-stage design
- Preset, ratio controlled stages with configurable final stage
- Piston pressure sensing elements
- 20 micron inlet filter
- Two section design for easy disassembly from heat plate attachment
- Adjusting screw with lock nut

BENEFITS

- Offsets Joule-Thomson cooling providing continuous gas sample conditioning
- Protects analyzers & helps preserve sample integrity
- Prevents condensation
- Minimizes regulator freeze ups
- Eliminates the need for multiple regulators in series
- Maintains outlet pressure during large inlet pressure swings
- Easy to mount in small or densely populated enclosures

PRODUCT DIMENSIONS



Side View

Top View

PRODUCT SPECIFICATIONS

Maximum allowable working pressure	6000 psig (414 bar)
Temperature range	-15°F to 300°F (-26°C to 149°C)
Port sizes	1/4" female NPT
Cv	0.06
Wetted materials	Machined parts: 316 stainless steel/NACE compliant All other metal parts: stainless steel/NACE compliant
Outlet pressure range	0- 10 (0-0.69 bar) 0- 25 (0-1.72 bar) 0- 50 (0-3.45 bar) 0- 100 (0-6.89 bar) 0- 250 (0-17.24 bar) 0- 1000 (0-34.47 bar)
Seals	James Walker Viton [®] Kalrez [®] other materials available upon request

Use the bold alpha-numeric characters from the table above to build your model number:

MJTR - -
Outlet Pressure Range / Seal

Analytically Accurate[®] TECHNOLOGY

About Mustang Sampling

Mustang Sampling, LLC is the innovator of Analytically Accurate[®] solutions within sample conditioning systems. We provide custom solutions of products and services globally to the Natural Gas, Natural Gas Liquids (NGL), and Liquefied Natural Gas (LNG) industries. Mustang Sampling continues to pioneer integrated control systems, allowing our customers to maintain phase stability from sample extraction at the source through sample analysis. Our products are continuously improved and subjected to the highest quality standards which provides our customers with the best sample conditioning solutions.

Mustang Sampling, LLC
43 Ritmore Glen
Ravenswood, WV 26164
P: +1 304 273 5357
F: +1 304 273 2531

info@MustangSampling.com
www.MustangSampling.com

Copyright © 2017 Mustang Sampling. All rights reserved. Mustang Sampling[®], Mustang[®] and Analytically Accurate[®] are registered trademarks of Mustang Sampling, LLC. Kalrez[®] is a registered trademark of DuPont. Viton[®] is a registered trademark of Chemours.

No part of this publication may be reproduced in any material form without the written permission of Mustang Sampling, LLC.

MS-CSMJTR.v6-EN-P December 2017
Supersedes: MS-CSMJTR.v5-EN-P