



Mustang Sampling[®]

Mustang[®] Joule-Thomson Heated Regulator

MJTHR[™]

The Mustang Joule-Thomson Heated Regulator (MJTHR) is a four-stage pressure regulator designed to compensate for Joule-Thomson cooling during sample extraction. With a ratio controlled multi-piston design, the MJTHR ensures the first three stages are always functional, even with fluctuations to inlet pressure.



APPLICATION

An MJTHR located downstream of a sample probe permits a 4-stage pressure reduction without distorting the composition of a vapor sample. Gas sample integrity is maintained by heating it to at least 30°F above the expected hydrocarbon dew point.

When used in combination with insertion probes, the MJTHR is the most practical means for conforming to the API 14.1 and GPA 2166 standards.



Natural Gas

FEATURES

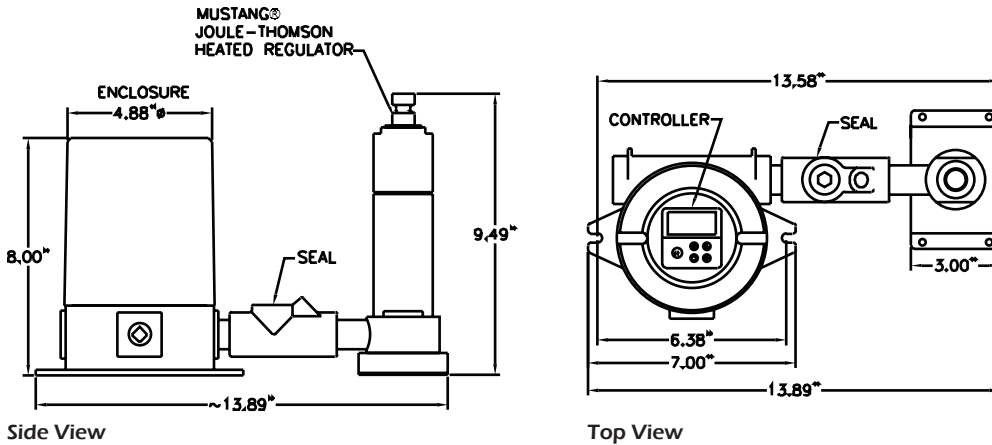
- Temperature Controller in Class 1, Division 1 & 2, or Zone 1 Exd Enclosure
- Proportional-Integral-Derivative (PID) controller
- Patented multi-stage design
- Preset, ratio controlled stages with user adjusted final stage
- Piston pressure sensing elements
- 20 micron inlet filter
- Unique Heat Exchange Chamber
- Two section design for easy disassembly from heat plate attachment
- Adjusting Screw with lock nut

BENEFITS

- Offsets Joule-Thomson cooling providing continuous gas sample conditioning
- Protects analyzers & helps preserve sample integrity
- Prevents condensation
- Minimizes regulator freeze ups
- Eliminates the need for multiple regulators in series
- Maintains outlet pressure during large inlet pressure swings
- Easy to mount in small or densely populated enclosures



PRODUCT DIMENSIONS



PRODUCT SPECIFICATIONS

Maximum Allowable Working Pressure	6000 psig (414 bar)
Temperature Range	-15°F to 300°F (-26°C to 149°C)
Port Sizes	1/4" female NPT
Wetted Materials	Machined parts: 316 stainless steel/NACE compliant All other metal parts: stainless steel/NACE compliant
Conduit Connection	3/4" female NPT
Internal Volume	5 cc
Cv Coefficient	0.06
Thermal Cut-off	Normally opens at 284°F (140°C) (other ranges available upon request)
Electrical Enclosure Classification	Class 1, Division 1 & 2, Groups B, C, D
Controller Options	Watlow® Oven Industries
Outlet Pressure Range Options	0-10 (0-0.69 bar) 0-25 (0-1.72 bar) 0-50 (0-3.45 bar) 0-100 (0-6.89 bar) 0-250 (0-17.24 bar) 0-1000 (0-34.47 bar)
Input Supply Voltage Options	115 VAC, 200 Watts, 50/60 Hz, ± 10% 208/230 VAC, 200 Watts, 50/60 Hz, ± 10% 24 VDC, 140 Watts
Seal Options	James Walker Viton® Kalrez® other materials available upon request
Certification	C - cETLus A - Atex/IECEX

Use the bold alpha-numeric characters from the table above to build your model number:



Analytically Accurate® TECHNOLOGY

About Mustang Sampling

Mustang Sampling, LLC is the innovator of Analytically Accurate® solutions within sample conditioning systems. We provide custom solutions of products and services globally to the Natural Gas, Natural Gas Liquids (NGL), and Liquefied Natural Gas (LNG) industries. Mustang Sampling continues to pioneer integrated control systems, allowing our customers to maintain phase stability from sample extraction at the source through sample analysis. Our products are continuously improved and subjected to the highest quality standards which provides our customers with the best sample conditioning solutions.

Mustang Sampling, LLC
43 Ritmore Glen
Ravenswood, WV 26164
P: +1 304 273 5357
F: +1 304 273 2531

info@MustangSampling.com
www.MustangSampling.com

Copyright © 2017 Mustang Sampling. All rights reserved.
Mustang Sampling®, Mustang® and Analytically Accurate® are registered trademarks of Mustang Sampling, LLC. Watlow® is a registered trademark of Watlow.
Kalrez® is a registered trademark of DuPont.
Viton® is a registered trademark of Chemours.

No part of this publication may be reproduced in any material form without the written permission of Mustang Sampling, LLC.

MS-CSMJTHR.v5-EN-P December 2017
Supersedes: MS-CSMJTHR.v4-EN-P